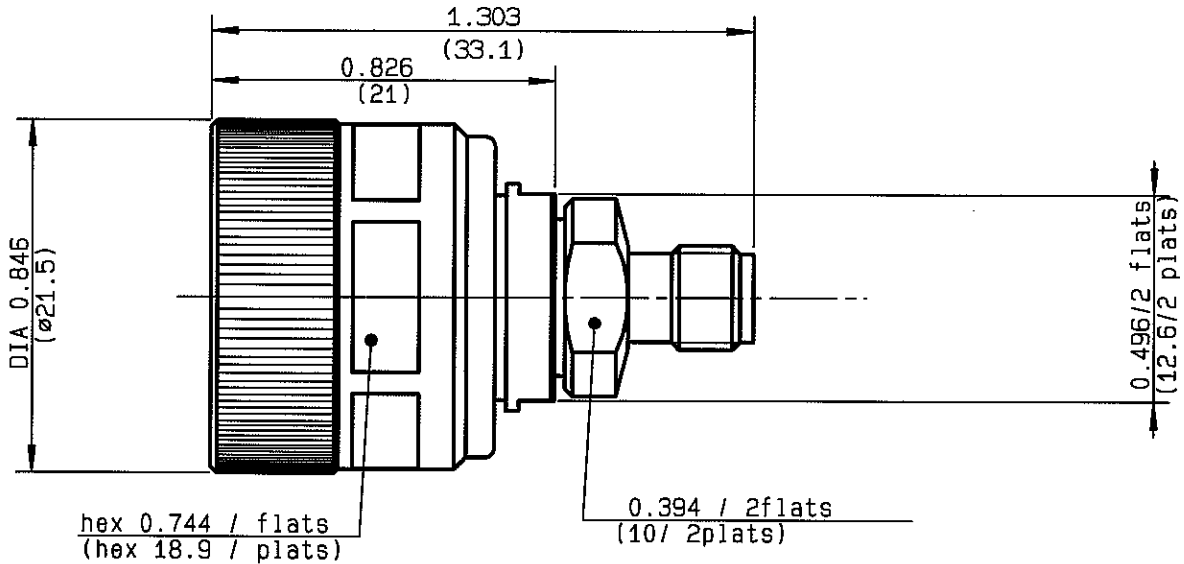


PC7 - SMA 3.5 FEMALE STRAIGHT ADAPTER

R191.012.000

SERIES

ADAPT



| | |
|---------------------------------|----------------------------------|
| NOMINAL IMPEDANCE | 50 Ω |
| FREQUENCY RANGE | 0-18 GHz |
| TEMPERATURE RATING | +13/+33 °C |
| V.S.W.R | 1.05 + .01 x F(GHz)Maxi |
| RF INSERTION LOSS | 0.05 √F(GHz) dB Maxi |
| VOLTAGE RATING | 500 Veff Maxi |
| DIELECTRIC WITHSTANDING VOLTAGE | 1000 Veff Mini |
| INSULATION RESISTANCE | 5000 MΩMini |
| HERMETIC SEAL | NA Atm.cm ³ /s |
| LEAKAGE (pressurized only) | NA |
| MECHANICAL DURABILITY | 500 Cycles |
| WEIGHT | 40 gr |
| SPECIFICATION | |

| | |
|----------------------------|--------------------|
| CABLES : | |
| OTHERS CHARACTERISTICS | |
| CABLE RETENTION | N Mini |
| CENTER CONTACT RETENTION | |
| Axial force - mating end | 27 N Mini |
| Axial force - opposite end | 27 N Mini |
| Torque | 8 cm.N Mini |
| RECOMMENDED TORQUES | |
| Mating | NA cm.N |
| Panel nut | NA cm.N |
| Clamp nut | NA cm.N |

| CONNECTOR PARTS | MATERIALS | FINISH | (all values are given in micrometers) |
|-----------------|------------------|------------------------|---------------------------------------|
| BODY | STAINLESS STEEL | GOLD 1.3 OVER NICKEL 2 | |
| OUTER CONTACT | | | |
| CENTER CONTACT | BERYLLIUM COPPER | GOLD 1.3 OVER NICKEL 2 | |
| INSULATOR | PTFE,ULTEM | - | |
| GASKET | | - | |
| OTHERS PIECES | BRASS | NICKEL 2 | |

TRIPPIER

| | | |
|----------------|-------------------|--------------------|
| ISSUE | CREATION DATE | FILE PART-NUMBER |
| 0243E00 | 23/07/1979 | DM-9705-028 |



RADIALL®

The information given here is subject to change without notice. Design changes may be in order to improve the product .

Connect to the future